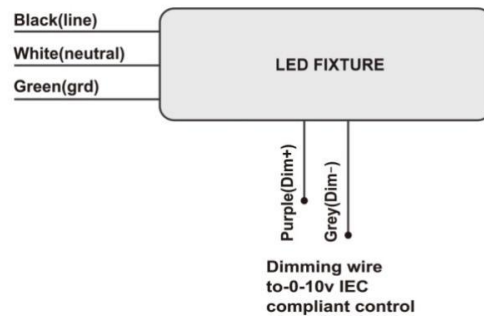


LED LOW BAY FIXTURE



General Wiring Diagram

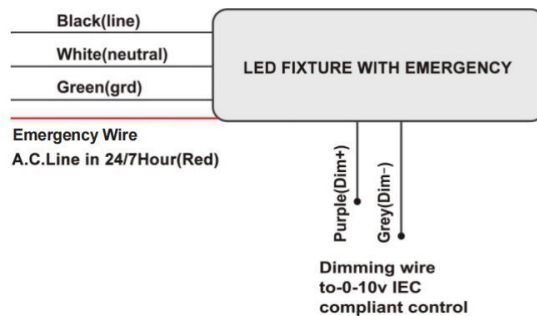


IMPORTANT:

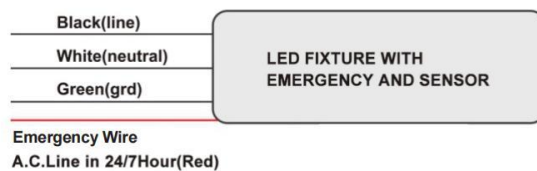
Before assembling your fixture, please make sure that you carefully read through this instruction sheet. Consider having your fixture installed by a qualified licensed electrician.

Note: The important safeguards and instructions that appear in this sheet are not meant to cover all possible conditions and situations that may occur. It must be understood that common sense, caution, and care are factors that cannot be built into any product. These factors must be supplied by the person(s) caring for and operating the fixture.

Wiring Diagram With Emergency



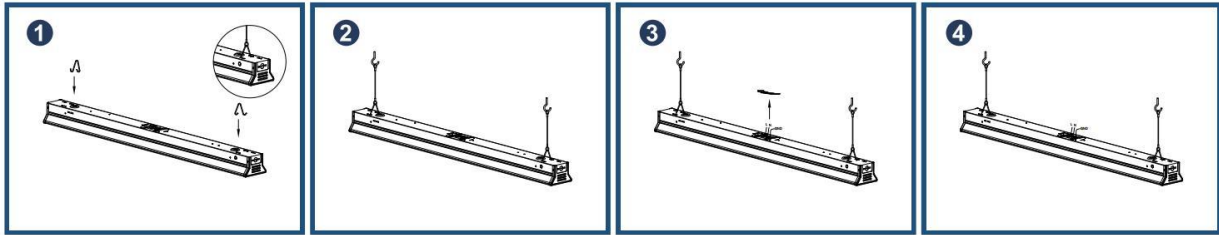
Wiring Diagram With Emergency and Sensor



Note:

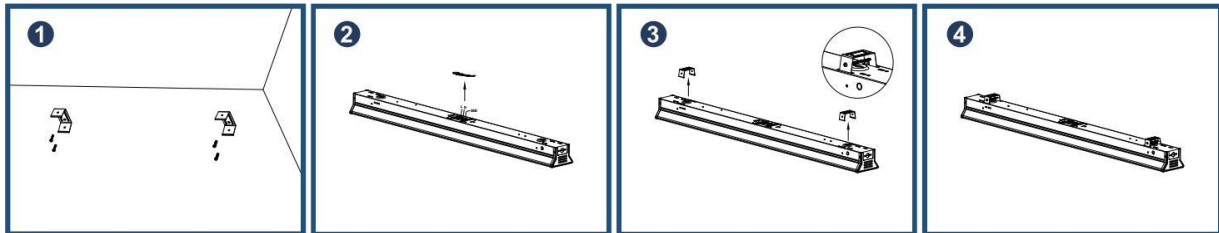
In the case of 208 or 240 line voltage, the 2nd hot leg will be connected to the white lead coming from the fixture.

TO CHAIN HANG THE FIXTURE



1. Install the hanging hooks(included)onto the top of the fixture,Make sure the wiring hangers are fully engaged into the holes on the top channel.
2. Hook the chain onto the hanging hooks,then onto the ceiling anchors(not provided).
3. Open the wiring cover and make the wiring connections with terminal cap (refer to the General wiring diagram),the replace the wiring cover.
4. Installation is complete.

TO SURFACE MOUNT THE FIXTURE



- 1.Bolt the brackets to ceiling,beam,joist or rain(bolts not included)
- 2.Connect the wiring in accordance to the wiring diagram in these specifications,of dimming is not required, then keep caps on dimming leads.
- 3.Attach the fixture to the bracket,screws per eash side of the bracket.
- 4.Insert the wire terminal joint to the wire entry,installation on completed.

WARNING:

- Turn off electrical power at fuse or circuit breaker box before wiring fixture to the power supply.
- Turn off the power when you perform any maintenance.
- Verify that supply voltage is correct by comparing it with the luminaire label information.
- Modifications to the product voids the warranty.