

LED STRIP FIXTURE

INSTALLATION INSTRUCTIONS

For use with:



120-277V

RDS-ST20-2FT277-CC
RDS-ST35-4FT277-CC
RDS-ST64-8FT277-CC
RDS-ST90-8FT277-CC

120-347V

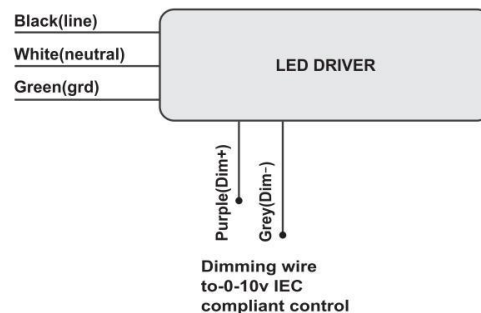
RDS-ST20-2FT347-CC
RDS-ST35-4FT347-CC
RDS-ST64-8FT347-CC
RDS-ST90-8FT347-CC

IMPORTANT:

Before assembling your fixture, please make sure that you carefully read through this instruction sheet. Consider having your fixture installed by a qualified licensed electrician.

Note: The important safeguards and instructions that appear in this sheet are not meant to cover all possible conditions and situations that may occur. It must be understood that common sense, caution, and care are factors that cannot be built into any product. These factors must be supplied by the person(s) caring for and operating the fixture.

GENERAL WIRING DIAGRAM



Note:

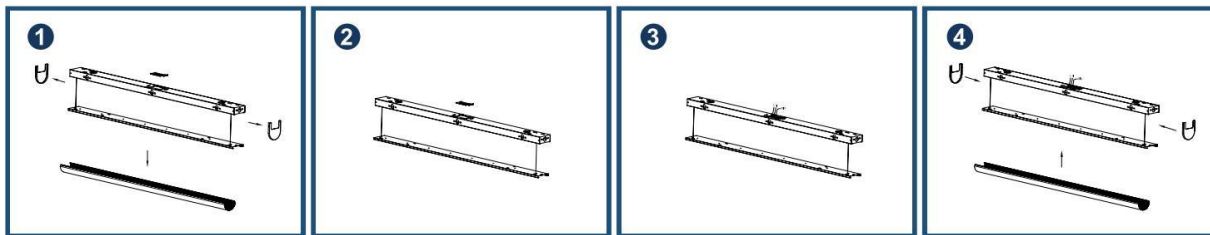
In the case of 208 or 240 line voltage, the 2nd hot leg will be connected to the white lead coming from the fixture.

Always turn off the power supply from main circuit breaker before beginning.

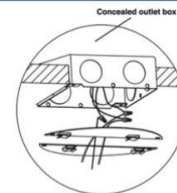
WARNING:

- Turn off electrical power at fuse or circuit breaker box before wiring fixture to the power supply.
- Turn off the power when you perform any maintenance.
- Verify that supply voltage is correct by comparing it with the luminaire label information.
- Modifications to the product voids the warranty.

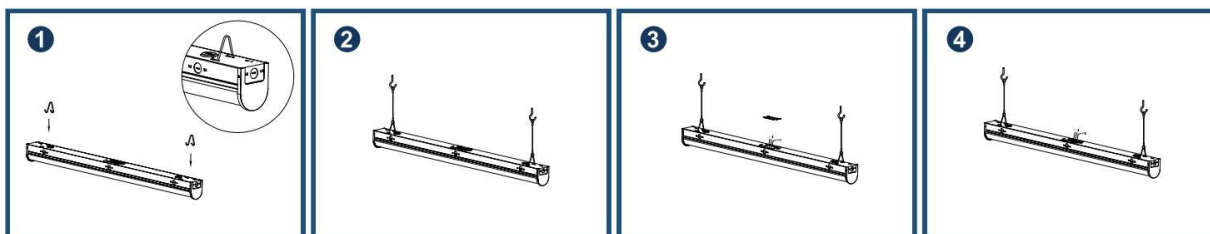
TO SURFACE MOUNT THE FIXTURE



1. Remove the end caps from both ends of the fixture, then remove the lens.
2. Open the wiring cover and make the wiring connections with terminal cap (refer to the General Wiring Diagram), then mount the fixture onto the ceiling with mounting screws.
3. Re-affix the lens and end caps onto the fixture.
4. Installation is complete.

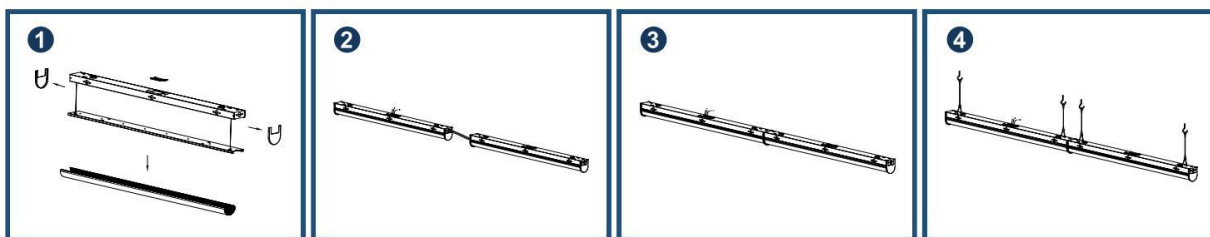


TO CHAIN HANG THE FIXTURE



1. Install the hanging hooks (included) onto the top of the fixture. Make sure the wiring hangers are fully engaged into the holes on the top channel.
2. Hook the chain onto the hanging hooks, then onto the ceiling anchors (not provided).
3. Open the wiring cover and make the wiring connections with terminal cap (refer to the General Wiring Diagram), then replace the wiring cover.
4. Installation is complete.

TO INSTALL END-TO-END



1. Remove the end caps and lenses of the fixtures you are connecting end-to-end.
2. For the first fixture (where power will be directly connected), open the wiring cover and make the wiring connections with terminal cap (refer to the General Wiring Diagram) and replace the wiring cover.
3. Make the necessary wiring connections to add feed-through wires for connecting the first fixture to the second fixture. Feed wires through the side knockouts.
4. For surface mounting, screw the fixtures onto the ceiling and re-affix the lens and end caps onto the fixtures.
5. For chain hanging, hook the chain onto the hanging hooks, then onto the ceiling anchors (not provided).
6. Installation is complete.

Note: Always turn off the power supply from main circuit breaker before beginning