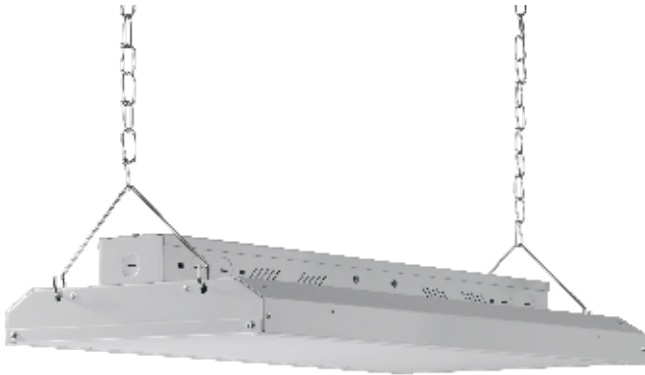


LED LINAEER HIGH BAY LIGHT

INSTALLATION INSTRUCTIONS



For use with:

120-277V

LHB090-2FT277-CC-CX
LHB110-2FT277-CC-CX
LHB135-2FT277-CC-CX
LHB170-2FT277-CC-CX
LHB170-4FT277-CC-CX
LHB220-2FT277-CC-CX
LHB220-4FT277-CC-CX
LHB300-4FT277-CC-CX
LHB320-4FT277-CC-CX

200-480V

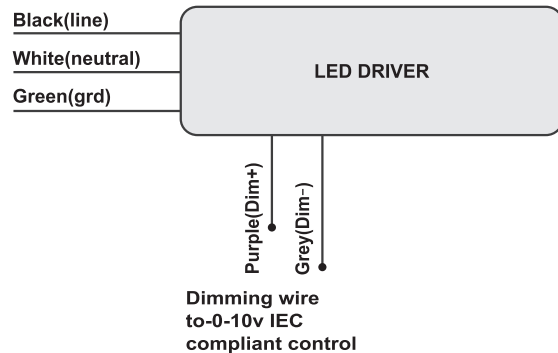
LHB090-2FT480-CC-CX
LHB110-2FT480-CC-CX
LHB135-2FT480-CC-CX
LHB170-2FT480-CC-CX
LHB170-4FT480-CC-CX
LHB220-2FT480-CC-CX
LHB220-4FT480-CC-CX
LHB300-4FT480-CC-CX
LHB320-4FT480-CC-CX

IMPORTANT:

Before assembling your fixture, please make sure that you carefully read through this instruction sheet. Consider having your fixture installed by a qualified licensed electrician.

Note: The important safeguards and instructions that appear in this sheet are not meant to cover all possible conditions and situations that may occur. It must be understood that common sense, caution, and care are factors that cannot be built into any product. These factors must be supplied by the person(s) caring for and operating the fixture.

WIRING DIAGRAM



Note:

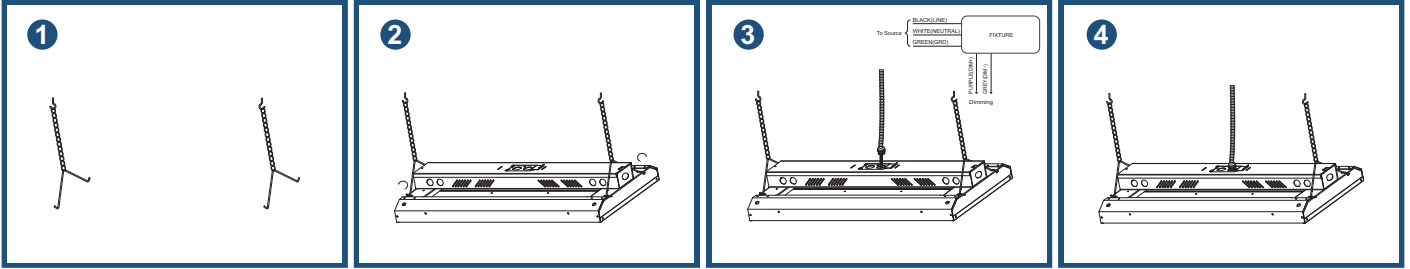
In the case of 208 or 240 line voltage, the 2nd hot leg will be connected to the white lead coming from the fixture.

Always turn off the power supply from main circuit breaker before beginning.

WARNING:

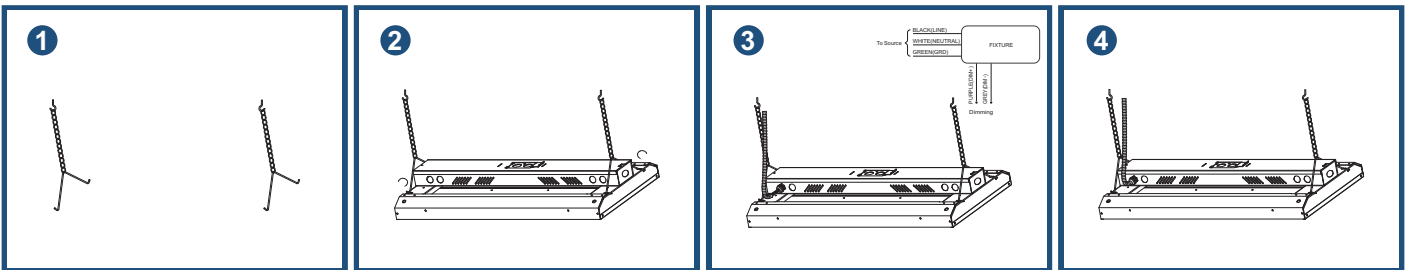
- Turn off electrical power at fuse or circuit breaker box before wiring fixture to the power supply.
- Turn off the power when you perform any maintenance.
- Verify that supply voltage is correct by comparing it with the luminaire label information.
- Modifications to the product voids the warranty.

Chain installation A:



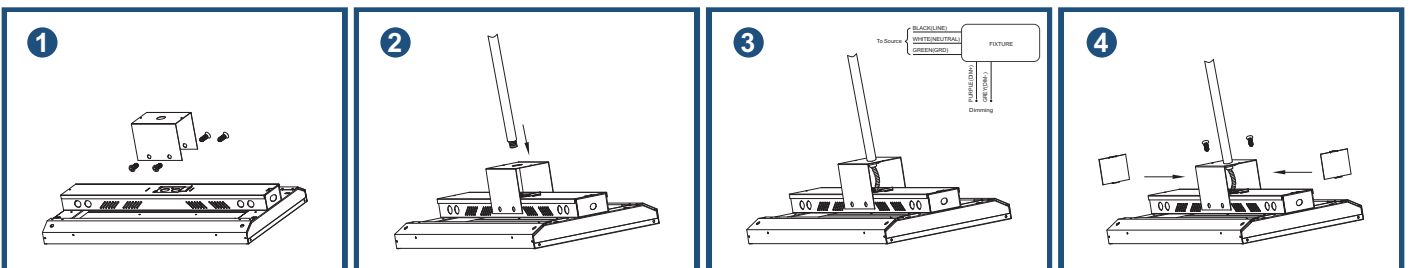
1. Hook the chain as below picture.
2. Insert the hook into the slotted holes, as shown below.
3. Turn off the power, and make wiring connections with terminal cap. (see wiring instruction as below)
4. Insert the wire terminal joint to the wire entry. installation completed.

Chain installation B:



1. Hook the chain as below picture.
2. Insert the hook into the slotted holes, as shown below.
3. Turn off the power, and make wiring connections with terminal cap. (see wiring instruction below)
4. Insert the wire terminal joint to the wire entry. installation completed.

Steeve installation:



1. Screw on the terminal cap.
2. Fixed the high bay on the steeve with provided hardware.
3. Turn off the power, and make wiring connections with terminal cap. (see wiring instruction below)
4. Attach both face plateds to the Junction box with the provided hardware.